

PLEASE CHECK WWW.MOLEX.COM FOR LATEST PART INFORMATION

Part Number: **0192020019**
Status: **Active**
Description: Butt - Funnel Entry Splice for 14-16 AWG Wire

Documents:

[Drawing \(PDF\)](#) [RoHS Certificate of Compliance \(PDF\)](#)

Agency Certification

UL E32244

General

Product Family Splices
 Series 19202
 Crimp Quality Equipment Yes
 Mil-Spec N/A
 Product Name Butt - Funnel Entry

Physical

Barrel Type Closed
 Flammability 94V-2
 Insulation Nylon (PA)
 Material - Metal Copper
 Packaging Type Adhesive Tape on Reel
 Wire Insulation Diameter 4.70mm (.185") max. Funnel End, 5.05mm (.199") max.
 Wire Size AWG 14, 16

Material Info

Old Part Number B-931-DK

Reference - Drawing Numbers

Sales Drawing SD-19202-002

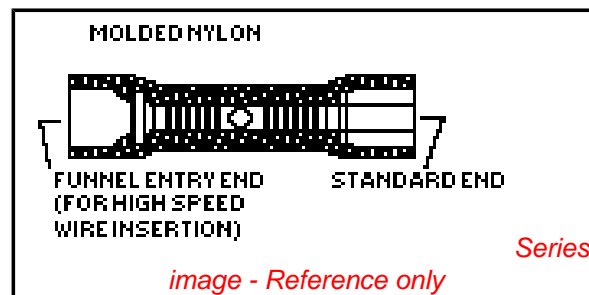


image - Reference only

EU RoHS

ELV and RoHS Compliant

REACH SVHC

Not Reviewed

Halogen-Free

Status

Not Reviewed

China RoHS



Need more information on product environmental compliance?

Email productcompliance@molex.com
 For a multiple part number RoHS Certificate of Compliance, [click here](#)

Please visit the [Contact Us](#) section for any non-product compliance questions.

Search Parts in this Series

[19202Series](#)

Application Tooling | FAQ

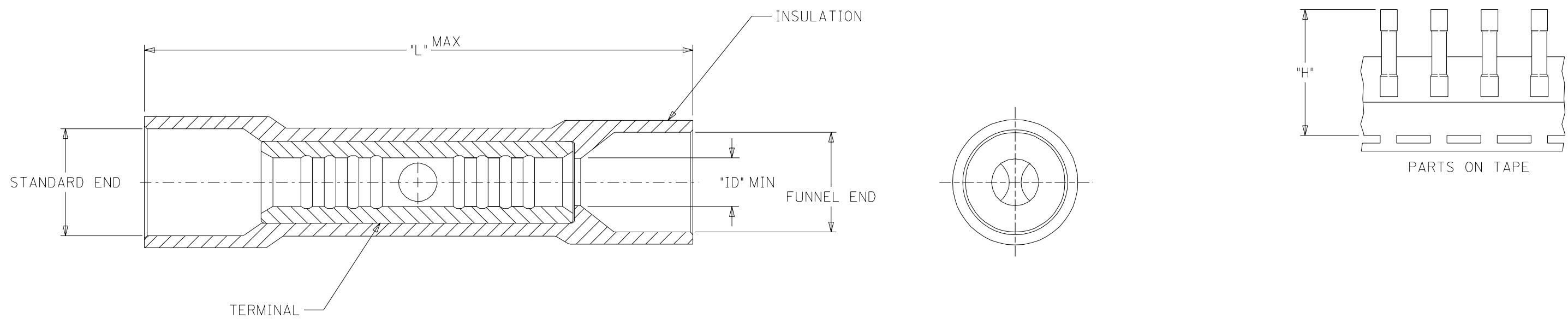
Tooling specifications and manuals are found by selecting the products below. Crimp Height Specifications are then contained in the Application Tooling Specification document.

Global

Description	Product #
Hand Crimp Tool	0640010100
Hand Crimp Tool	0640010300
Hand Crimp Tool	0640016500
Crimp Head for the AT-200™ Pneumatic Hand Tool	0640050100
Crimp Head for the AT-200™ Pneumatic Hand Tool	0640050300
Crimp Head for the AT-200™ Pneumatic Hand Tool	0640056500

PLEASE CHECK WWW.MOLEX.COM FOR LATEST PART INFORMATION

MATERIAL NUMBER	ENGINEERING NUMBER	MATERIAL NUMBER ON TAPE	ENGINEERING NUMBER ON TAPE	WIRE SIZE AWG	INSULATION COLOR	TERMINAL ID MIN	MAX. WIRE INSUL. DIA.		LENTH "L" MAX	"H" ±.010/0.25
							STANDARD END	FUNNEL END		
192020063	A-945-DK	192020007	A-945-DKT	18-22	DK RED	.062/1.57	.161/4.09	.147/3.74	1.070/27.18	1.522/38.67
192020019	B-931-DK	192020021	B-931-DKT	14-16	DK BLUE	.081/2.57	.199/5.05	.185/4.70	1.070/27.18	1.524/38.71
192020039	C-946-DK	192020041	C-946-DKT	10-12	DK YELLOW	.131/3.33	.276/7.01	.261/6.63	1.150/29.21	1.561/39.65



SALES DRAWING

- NOTES:
 1. MATERIAL: COPPER.
 2. PLATING: ELECTRON-TIN.
 3. INSULATION: 6/6 NYLON

NEW RELEASE EC NO. ETC2004-0207 DRWN: BRE 04/04/23 CHK: HEB 04/04/23 APPR: RWD 04/04/23	QUALITY SYMBOLS	MAJOR ▽=0
	DESCRIPTION	CRITICAL ∇=0
	REV	A
	DRAFT WHERE APPLICABLE MUST REMAIN WITHIN DIMENSIONS	

GENERAL TOLERANCES: (UNLESS SPECIFIED)	
mm	INCH
4 PLACES ±0.	±.
3 PLACES ±0.	±.005
2 PLACES ±0.13	±.01
1 PLACE ±0.25	±.
ANGULAR: ±1/2°	

SCALE 4:1	DESIGN UNITS <input type="checkbox"/> mm <input checked="" type="checkbox"/> INCH
DRAWN BY & DATE BRE 04/04/20	
CHECKED BY & DATE HEB 04/04/20	
APPROVED BY & DATE RWD 04/04/20	
CAD FILENAME SD-19202-002 .DGN	

DIMENSIONS: <input type="checkbox"/> mm <input checked="" type="checkbox"/> INCH <input type="checkbox"/> mm ONLY		SHT	REV
THIRD ANGLE PROJECTION		REVISE ON CAD ONLY	
TITLE: FUNNEL ENTRY NYLON BUTTED BUTT SPLICES			
MOLEX INCORPORATED			
MATERIAL NO. SEE CHART	DRAWING NO. SD-19202-002	SHEET NO. 1 OF 1	
THIS DRAWING CONTAINS INFORMATION THAT IS PROPRIETARY TO MOLEX INCORPORATED AND SHOULD NOT BE USED WITHOUT WRITTEN PERMISSION.			SIZE B